

2G11

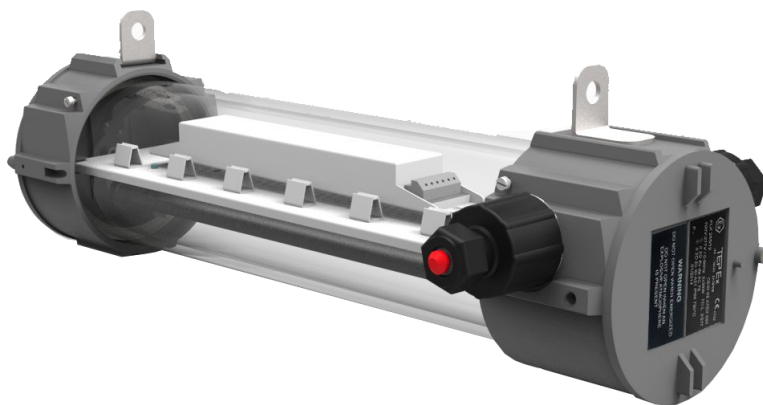
IP 66



IK08



- TC-L fluorescent compact lamps
- 100÷280V AC/DC
- 0-60 Hz



CONSTRUCTION

Housing: aluminium, corrosion resistant grey polyurethanes painted

Diffuser: borosilicate glass tube

Gasket: silicon

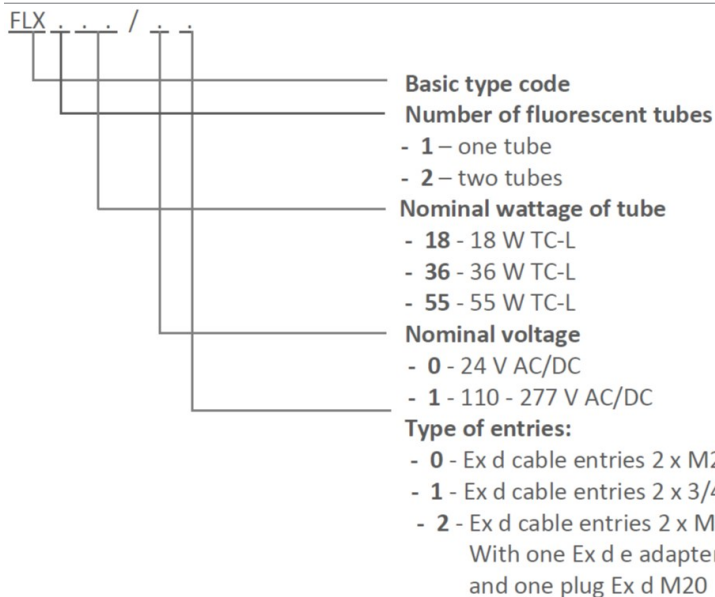
The light fitting is normally supplied with two light sources, two entries M20 and wall/sealing mounting set.

TECHNICAL DATA

Certificate:	CESI 06 ATEX 051-01/09, EAC RU C-HR.AB24.B.03253
Marking:	CE 0722
Apparatus category:	II 2GD
Marking of explosion protection:	Ex db eb IIC T5/T6 Gb Ex tb IIIC T80°C Db
Ambient temperature:	-20°C ≤ Ta ≤ +50°C [ATEX] -50°C ≤ Ta ≤ +50°C [EAC]
Degree of protection:	IP 66, category 1
Resistance to shock:	IK 08
Protection class :	I (protective earthing)
Rated voltage:	100 V ÷ 280 V AC/DC
Frequency:	0-60 Hz
Rated power:	See model code table
Ballast lumen factor:	98%
Light output ratio:	η=0,73%
Connecting terminals:	L1, L2, L3, N, PE - max. 2,5 mm ² PE for outside earthing max. 2 x 6 mm ²
Cable entry:	2 x M20 2 x 3/4"NPT 2 x M20, with one Ex d plugs and one adapter type ADP 03/24, for cable φ7-15 mm
Through wiring:	With two Ex de adapter ADP 03/24 - 4 x 2,5 mm ² , max. 16 A,
Energy classification EEI:	A2
Electromagnetic compatibility:	in conformity with the EMC Directive 2004/108 EC and harmonized standards EN 55015+A1+A2, EN 61547 , EN 61000-3-2+A1, EN 61000-3-3

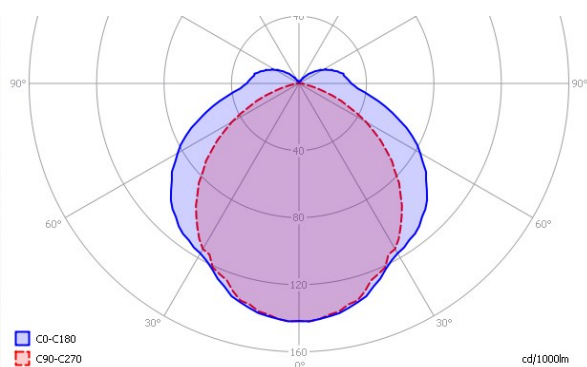
Fluorescent light fitting

MODEL CODE

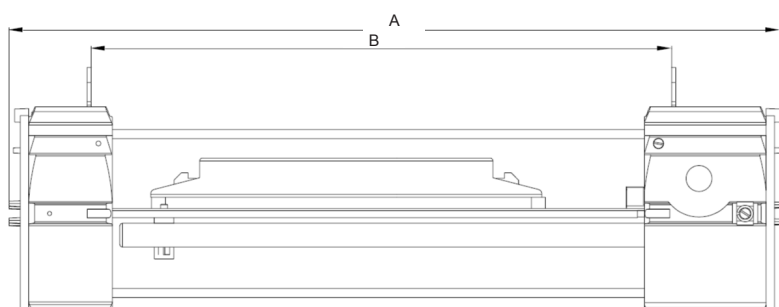


Model code	Max. Wattage	Lamp type	Nominal voltage	Luminous flux [lm]	Lamp holder	A	B	Weight
FLX 218	2x18 W	TC-L	100-280 V	2 x 1200	2G11	366	225	4,6 kg
FLX 236	2x36 W			2 x 2900		555	416	5,8 kg
FLX 255	2x55 W			2 x 4700		680	542	8,0 kg

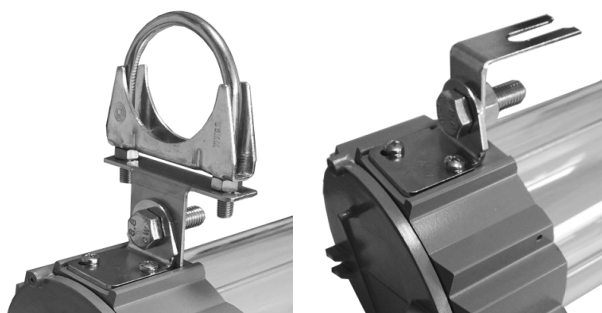
POLAR CURVE



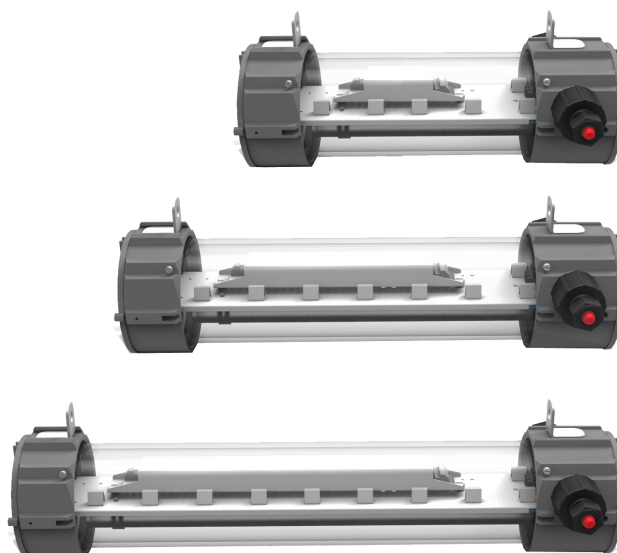
DIMENSION DRAWING (all dimensions in mm)



MOUNTING





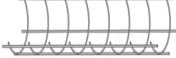






Pendant, on pipe, wall, ceiling mounting



All technical data is relevant at the time of print.

SPARE PARTS AND ACCESSORIES

Sketch	Description	Code	Sketch	Description	Code
	Cover gasket FLX	FLX 10-120		Ex d cable gland SPU 20	SPU 20
	Base plate FLX/...	FLX 10-130		Ex d plug M20	SPC 20
	Protective grid FLX set	FLX 20-140		FLX Wall / ceiling mounting set	FLX 20-170
	External reflector FLX	FLX 20-150		FLX Pipe mounting set	FLX 20-180
	Adapter ADP 23	FLX 10-160			