

E27



IP 66



IK08



- Low weight/3,5 kg
- Up to 70W HSE (5900 lm)


**CONSTRUCTION**

Housing: aluminium powder painted casting

Diffuser: borosilicate glass

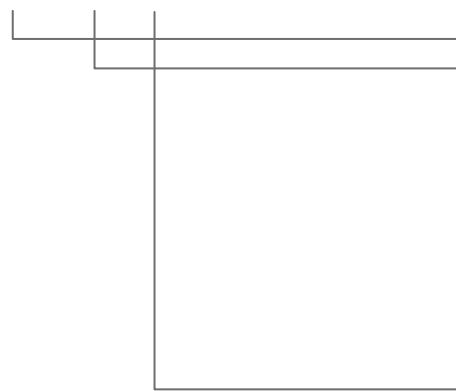
Accessories: protected galvanized steel gird (INOX on request), assembly kit for wall, pipe and ceiling mounting

TECHNICAL DATA

Certificate:	EXA 14 ATEX 0056X and 0056X/1 RU C-HR.AB24.B.03245
Marking:	CE 0722
Apparatus category:	II 2GD
Marking of explosion protection:	 Ex db eb IIC T6-T3 Gb Ex db IIC T6-T3 Gb Ex tb IIIC T80°C - T155°C Db
Ambient temperature:	-20°C ≤ T _a ≤ +40°C [ATEX] -50°C ≤ T _a ≤ +40°C [EAC]
Degree of protection:	IP 66, category 1
Resistance to shock:	IK 08
Protection class :	I (protective earthing)
Rated voltage:	230V AC PLFM FLASH - see model code table
Frequency:	50Hz (60Hz on request)
Rated power:	See model code table
Light output ratio:	η=0,75%
Cable entry:	Direct entry; 2 x M20x1.5 Indirect entry ; ADP 23/1, Ex e junction box, Ex d metal cable gland M20
Connecting terminals:	L, N, PE; max. 2 x 2,5 mm ² solid, flexible terminal for external -PA connection; max 2x6 mm ²
Weight:	3,5 kg → PLFM 100/, PLFM FLASH-. 4,5 kg → PLFM 20 LED-, PLFM 70 HSE-.
Packing:	The packing contains: 2 pcs 340x260x170 mm

Pendant light fitting

PLFM ... - .



Basic type code

Maximal wattage and type of sources:

- 100 - A incandescent lamp 100W max,
A ECO halogen lamp 105W max,
QT halogen lamp 100W max.
- 100/1 - LME mixed discharge lamp 100W max.
- 100/2 - TC-SB compact fluorescent lamp 23W max.
- 100/3 - LED BULB lamp 15W max.
- 20 LED - LED MODUL special 20W max.
- FLASH - XENON MODUL special 5W max.
- 70 HSE - HSE-I high pressure sodium discharge lamp 70W,
HSE-I high pressure sodium discharge lamp 50W.

Type of entries:

- 1 – indirect entry – type with Ex e junction box,
- 2 – indirect entry – type with Ex d adapter ADP 23/1,
- 3 – direct entry – type with Ex d cable gland

MODEL CODE

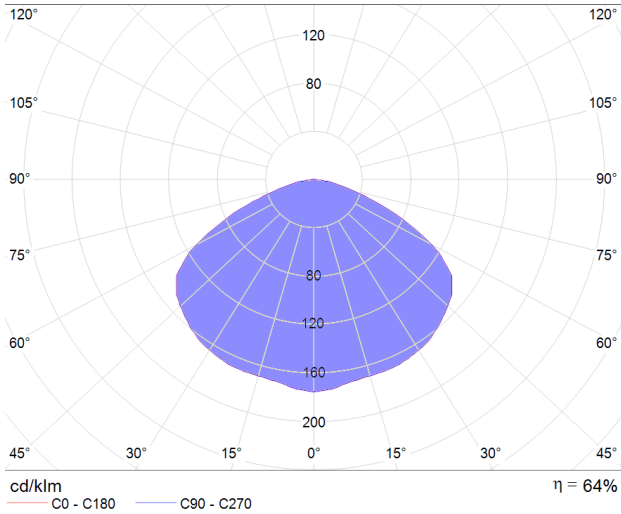
Model code	Max. wattage	Lamp type	Nominal voltage	Luminous flux	Lamp holder	Temp. class (gas)	
						T _a =40°C	T ₀ MAX (dust)
PLFM 100 - .	100 W	A	230V	1340 lm	E27	T4	130°C
	116 W Osram 105 W Philips	A ECO	230 V	2135 lm Osram 1980 lm Philips	E27	T4	130°C
	100 W	QT	230 V	1800 lm Osram	E27	T4	130°C
PLFM 100/1 - .	100 W	LME	230 V, 50 Hz	1100 lm	E27	T3	155°C
PLFM 100/2 - .	22 W Osram 23 W Philips	TC-SB	230 V, 50 Hz	1440 lm	E27	T6	80°C
PLFM 100/3 - .	12 W Osram 13 W Philips	LED	230 V, 50 Hz	810 lm Osram 1055 lm Philips	E27	T6	80°C
PLFM 20 LED - .	20 W	LED modul	230 V, 50 Hz	1300 lm	-	T6	80°C
PLFM FLASH - .	5 W	XENON	10–100 V DC	4J/90Hz	-	T6	80°C
			110 V AC				
			230 V AC				
PLFM 70 HSE - .	70 W	HSE	230 V, 50 Hz	5900 lm Osram 5600 lm Philips	E27	T4	130°C
	50W	HSE	230 V, 50 Hz	3600 lm Osram 3500 lm Osram	E27	T4	130°C

MOUNTING

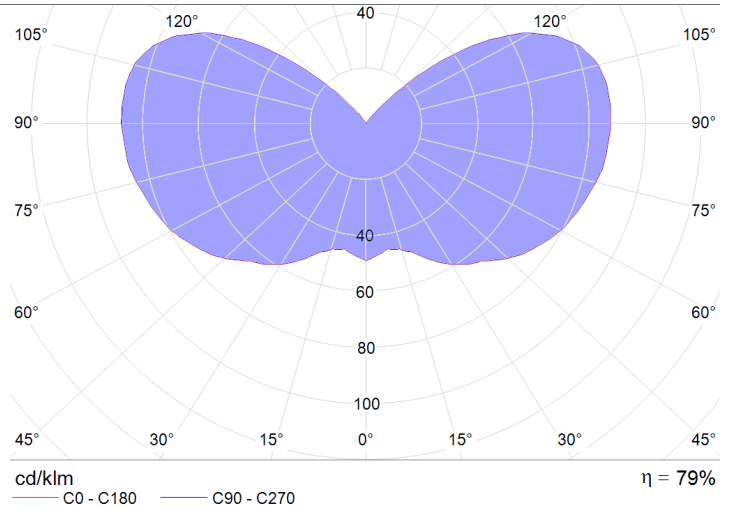
Pendant, on pipe, wall, ceiling

With vertical suspension on the bolt with ring bolt head M8
Wall mounting bracket

POLAR CURVE

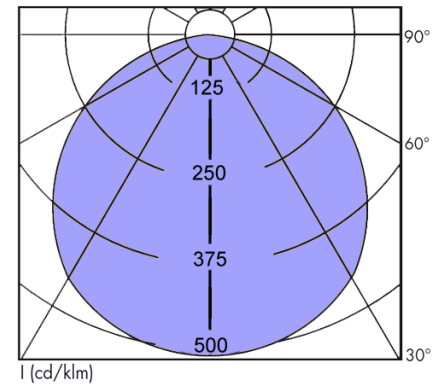
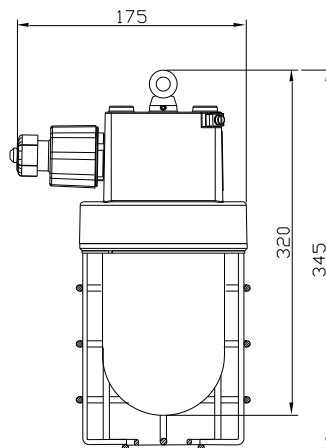
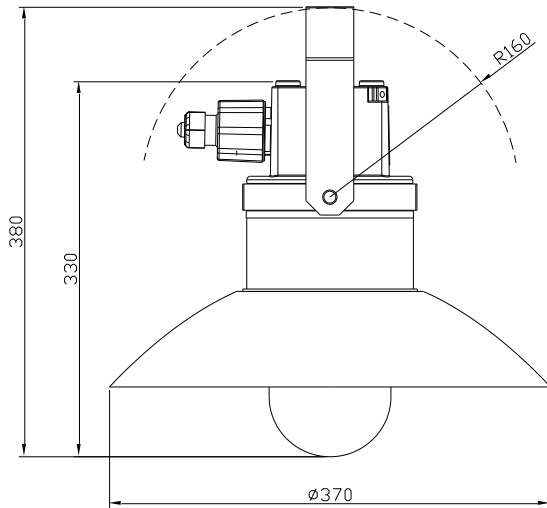


PLFM 100-., PLFM 70 HSE
With external reflector



PLFM 100-., PLFM 70 HSE
Without external reflector

DIMENSION DRAWING (all dimensions in mm)



PLFM 20 LED, 1300 lm

SPARE PARTS AND ACCESSORIES

Sketch	Description	Code	Sketch	Description	Code
	Replacement glass PLFM	PLFM 10-120		Ex e cable gland M25	SPU 25
	Wire guard PLFM	PLFM 10-130		Ex e plug M25,	SPC 25
	Gasket PLFM	PLFM 10-140		Light bulb	According to type table
	Lampholder with internal reflector	PLFM 10-150		PLFM fixing bracket for tube R 2"	PLFM 20-120
	Ballast set	PLFM 10-170		PLFM mounting bracket (ceiling mounting)	PLFM 20-130
	Adapter ADP 23	PLFM 20-110		PLFM mounting bracket (wall mounting)	PLFM 20-140

