



High Mast LED

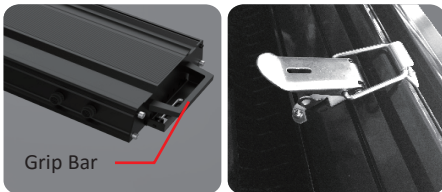
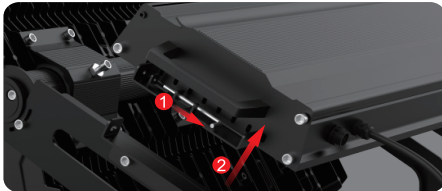
High-power LED Modular Floodlight

High Mast LED is High Power LED modular Floodlight with 600W and 900W power ratings. The design features easy assembly and quick connection between parts with freedom of angle adjustment ability of LED modules.

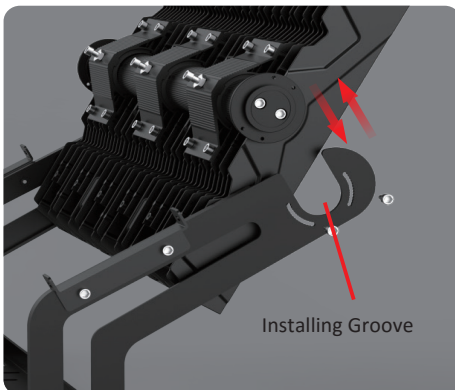


Modular Design, Easy and Quick Assembly/Disassembly

1. Driver Box Assembling



2. LED Module Assembling



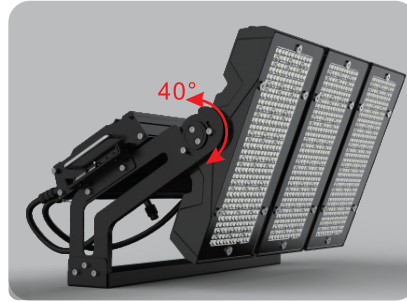
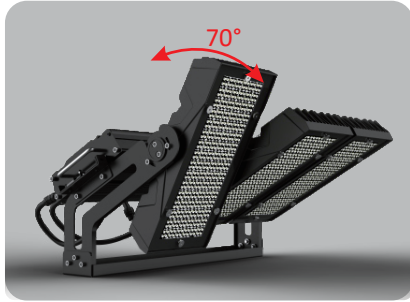
Features / Specifications

- High performance design with Nichia Chip
- Luminous flux more then 118,000lm (900W)
- Luminous Efficacy up to 130lm/W
- Electricity: 100-240Vac/100-277Vac, 50/60Hz, PF≥0.93
- LED Lifespan > 50,000 hours (Ta=30°C @L70)
- Energy saving up to 90%
- CCT : 5000K (3000K & 4000K optional)
- CRI > Ra70 (CRI>Ra80 optional)
- Beam angle : 18°, 30°, 30°x 60°
- Superior uniformity
- IK08
- Built-in SPD, 10KV surge protection
- Superior temperature stability
- Temperature test at toughest conditions
- Inventronics driver
- Operating temp: -30~+50°C
- Body: Aluminum alloy
- Stainless steel screws
- Multiple modules allowing 40° rotation
- Single module allowing 70° rotation
- IP66 protection rating

Code	HIMAST600WHE	HIMAST900WHE
Watts	596 W	902 W
Input Voltage	100-240VAC / 100-277VAC, 50-60hz	
Power Factor	>0.93	
Color Temperature	5000K (3000K & 4000K optional)	
Luminous Efficacy	130 lm/W	
Lumens	77,868 lm	118,829 lm
CRI	Ra≥70, (Ra≥80 optional)	
Beam Angle	18°, 30°, 30° x 60°	
IP Rating	IP 66	
LED Lifespan (@L70)	50,000 hrs	

LED Module

The LED modules are connected by a rotation axle, which makes each module have a 70° rotating range, while the multiple (entire) modules having a 40° one. This convenient and flexible design makes High Mast LED meet different requests in outdoor lighting applications.



Wind Test Certified & 10KV Surge Protection

The overall structure of High Mast LED is firm, which has passed the windproof test at 30m height. The LED driver inside comes with a 10kV SPD (surge protection device), which provides double protection in bad weather.

Small Beam Angle & High Efficacy

High Mast LED adopts small beam angle optics (18°, 30° & 30°x60°). With the high efficacy 130lm/W, it can reach a quite far target lighting area as desired.

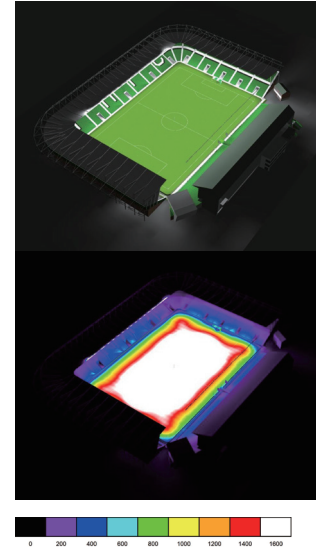
Low Power Consumption with High Lumen Output

High Mast LED has two power options, 600W and 900W. The 600W gives more than 77,000lm, whereas 900W gives more than 118,000lm. They are designed to replace 900W and 1200W MH/HID lamp source respectively.

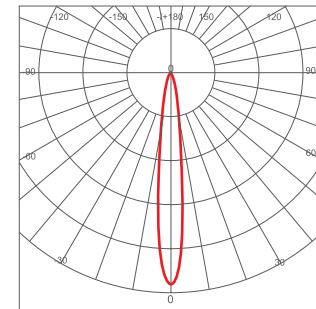
IP66 & IK08

High Mast LED comes with a waterproof rubber ring inside. Its well-deigned radiating fins help air to flow and prevent water to accumulate. Each LED module is equipped with a respirator, preventing water to spray in. Additionally, High Mast LED gets a IK08 impact-resistant grade, which provides better protection for outdoor usage.

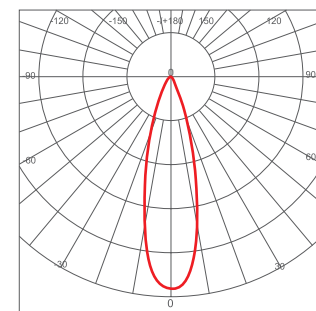
Dialux Simulation



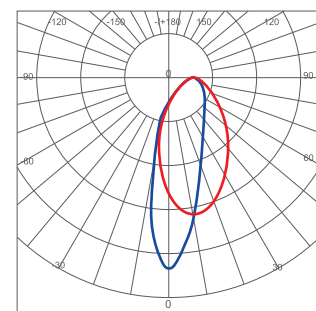
Light Output



18° (F01603)



30° (F01604)



30° x 60° (F01601)