



DIGITAL DC AMMETER & VOLTMETER

FEATURES

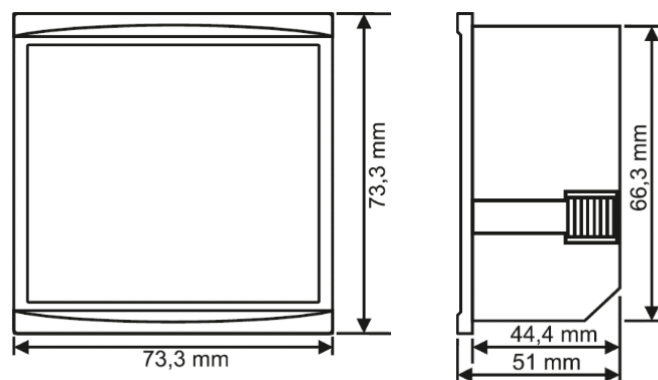
Accuracy:	±2% (DC-V72) ±5% (DC-A72)
Ambient temperature:	-20 C ~ +55 C
Operating Altitude	< 2000 m
Ambient Humidity (operation):	15% - 95%
Weight:	0.22 kg max
Insulation Class (Front Panel):	IP41
Depth :	44.7 mm (low depth)
Panel Hole Size	68x68

TECHNICAL DATA

Operating Voltage (Un):	150-260VAC
Operating Frequency:	50 / 60 Hz
Operating Power:	<6 VA
Input Measuring Range (DC-V72):	1-300VDC
Input Measuring Range (DC-A72):	0.3mV - 70mV
Shunt Values (DC-A72):	10A- 910A (60mV)
Wire Thickness:	1.5 mm ²

RANGE

DC-A72	Digital Ammeter DC 72 x 72
DC-V72	Digital Voltmeter DC 72 x 72



DC-V72, DC-A72