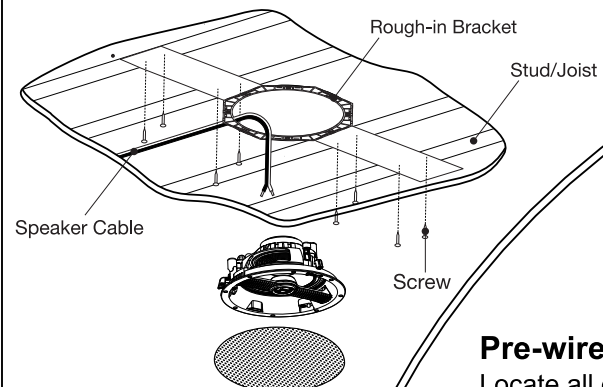


6.5" Round Speaker Hole Cutout Template

- Hole Cut Diameter: 8.25" (20.96 cm)

■ **Figure 1**

In-ceiling bracket Installation



Pre-wire or Pre-construction

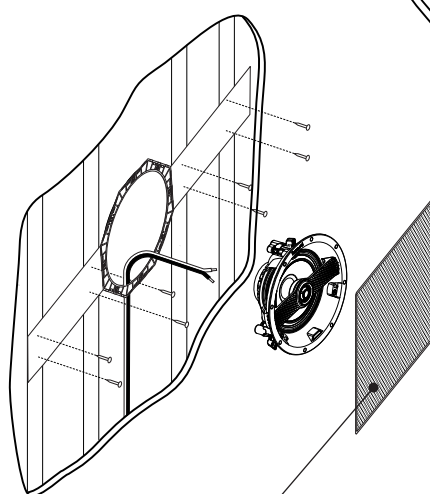
Locate all obstructions (AC wiring, plumbing, duct work, studs, and joists). Route the speaker wire to the speaker location avoiding all obstacles. Russound offers Speaker Rough-In Brackets that can be fastened to the adjacent studs. Once the dry wall is installed, the opening is cut-out. There are holes molded into the bracket for speaker wire tie-off to keep the wire from being lost during construction. Make sure the speaker cut-out (hole) doesn't extend further than 1/4" (0.6cm) from the inside of the mounting bracket.

■ See Figure 1 for In-ceiling bracket installation.

■ See Figure 2 for In-wall bracket installation

■ **Figure 2**

In-wall bracket Installation



Magnetic square grille
ICG-6S (sold separately)

10.15.20 | Rev 1

Installation Instructions

Retrofit Installation

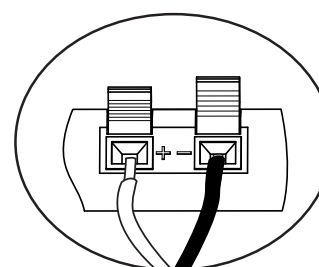
Locate all existing pipes, duct work, and AC wiring before cutting any holes in the ceiling.

1. Center the cardboard template between adjacent joists, avoiding all wiring, pipes, duct work, and lightly mark the outline with a pencil. Then use a keyhole/drywall saw or motorized spiral-cut tool to make the opening. ■ See Figure 3
2. Score the outline of the template with a utility knife to prevent chipping. If dealing with lath and plaster or thick paneling, drill 1" (2.5cm) holes in several places around the pencil outline. Use a fine-toothed keyhole saw or hacksaw blade with slow strokes to saw through and remove the inner surface. ■ See Figure 3
3. Center the Speaker in the the cutout. Rotate the frame as needed before tightening the screws. Tighten the screws equally until clamps secure the frame. Do not overtighten. ■ See Figure 4

Attach Speaker Wire To Speakers

Attach the speaker wires to the red and black speaker terminals. Connect the Positive (+) conductor to the Red terminal and the Negative (-) conductor to the Black terminal. Make sure that no stray strands of wire are touching the other conductor or terminal. ■ See Figure 5

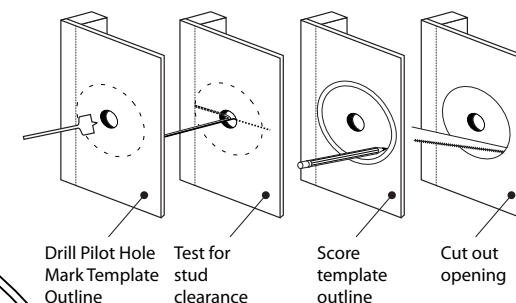
For warranty information go to
www.russound.com/warranty-registration



■ **Figure 5**

a sound relationship
Russound

■ **Figure 3**



Drill Pilot Hole
Mark Template
Outline

Test for
stud
clearance

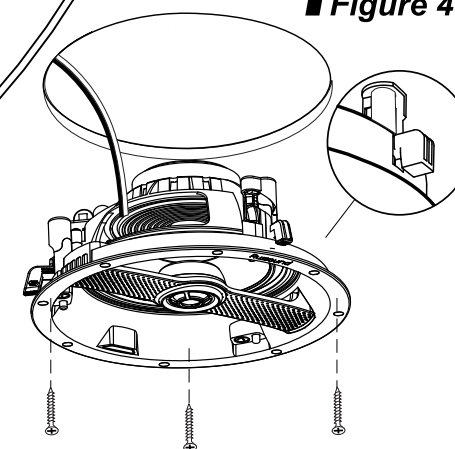
Score
template
outline

Cut out
opening

Note:

Drill shallow to avoid damage to
wiring, pipes & ductwork.

■ **Figure 4**



russound.com

[11.417]
290